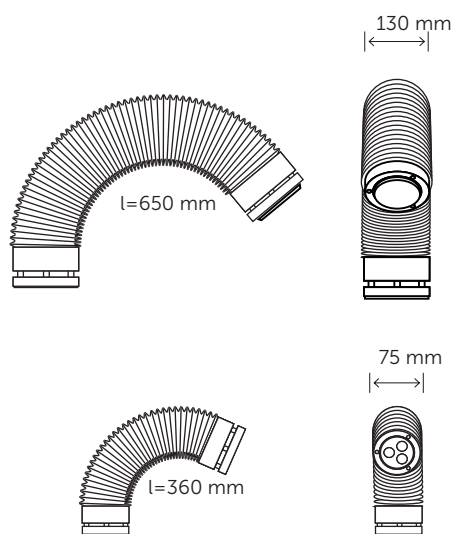


# THROAT



Design M. Triibmann



The Throat lamp borrows the shape of industrial ventilation pipes. The casing offers extreme flexibility, enabling the user to direct light as they see fit, making it one of the most versatile options out there. Whether in the bedroom, office, den or dining room, you can adjust and readjust to your needs without any tools required. Its industrial construction speaks highlights its durability while the polyurethane coating provides a pleasing finish. Available in two lengths, the pieces are well suited to contemporary spaces due to their adaptability. In addition, users can dress up or dress down the wall or ceiling mounted units with custom made stockings that are easily slid over the flexible body and which will stretch and move as the lamp does! The new wardrobe also extends the life of the design by making it possible to match your interior aesthetic even as you switch up your style.

<b>Product code</b>	<b>K3-LI-THR-75</b>	<b>K3-LI-THR-130</b>
<b>Usage capacity</b>	<b>9W</b>	<b>9W</b>
<b>Lightsources socket</b>	<b>E14 recommended source Led Star Par16</b>	<b>E27 recommended source PARATHOM PAR30</b>
<b>Input voltage</b>	<b>230V</b>	<b>230V</b>
<b>Energy class</b>	<b>A+</b>	<b>A+</b>
<b>Protection class (IP)</b>	<b>20</b>	<b>20</b>
<b>Weight</b>	<b>700 g</b>	<b>1200 g</b>

<b>Material</b>	Powder coated metal, bending regulated metal throat , polyurethane tube
<b>Colour</b>	By default RAL 7016 dark gray metal parts, half transparent smoked polyurethane skin

\*Available different colour stretched textile cover. The metal parts color according the textile.