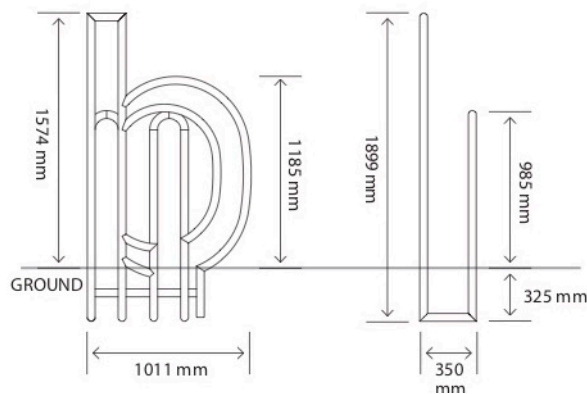
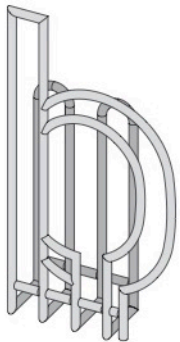
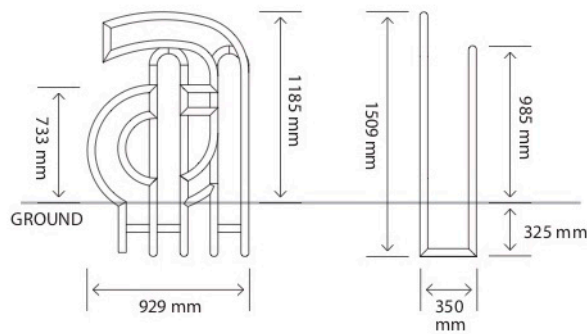


# TYPO

DESIGNED BY MARGUS TRIIBMANN



Typo combines its function as a bike rack with that of a sign. Its letters can be used for advertisements, names or other expressions in public spaces. Typo can be used as an artificial barrier showing for example a company name or act as a border for towns and cities indicating the place name. The letters are available in Arabic alphabet and can be fixed by being casted into concrete.

Product code	FO-TY-01	FO-TY-02	FO-TY-03
Material	Stainless steel	Galvanized steel	Galvanized and painted steel
Steel color	N.A.	N.A.	Any RAL-color
Weight (kg)	Depends on the word	Depends on the word	Depends on the word