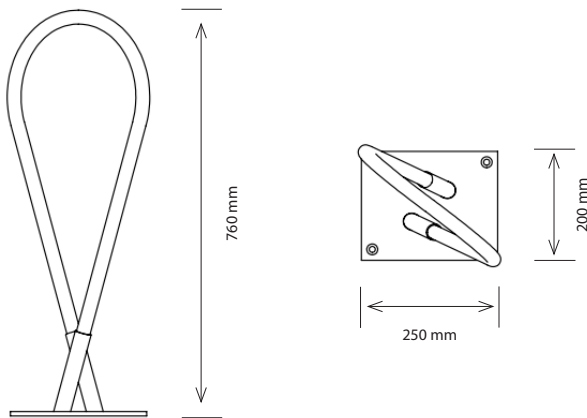


# TULIP

DESIGNED BY MARGUS TRIIBMANN



Tulip is an elastic and safe bike rack which resembles a loop. It provides the freedom to choose the way of putting bikes in the rack. The fixing place for the bike is not set and therefore it is suitable for fixing bikes with different heights and different types of frame. When placing the Tulip bike racks side by side, it is possible to create partitions, or artificial barriers, to spaces. The upper part of the bike rack is flexible, so it can even hold bikes with bigger than average wheels. Thanks to a spatial and constructive solution it achieves better stability while placing the bike sideways or with the front wheel in the rack. It is possible to change the tubes, allowing for a change of color or to give the rack a fresh look. There are two ways for fixing the rack: either with bolted connections/wedge anchors into the ground or casted into concrete.

Product code	FO-TU-01
Material	Galvanized and powder coated steel, SPR or EPDM tube
Weight (kg)	7
Steel color*	RAL 7016
Loop color*	

\* customization available upon request