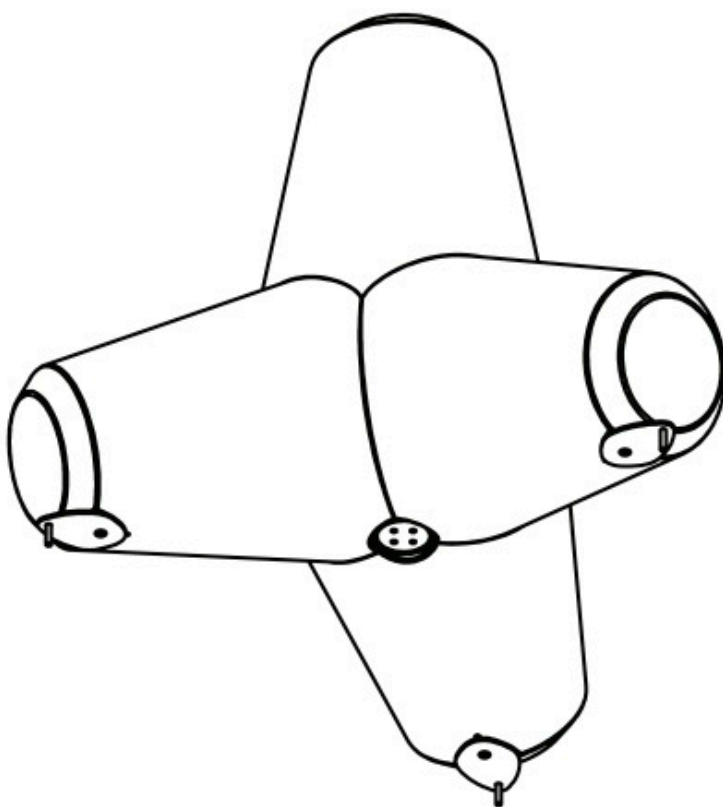
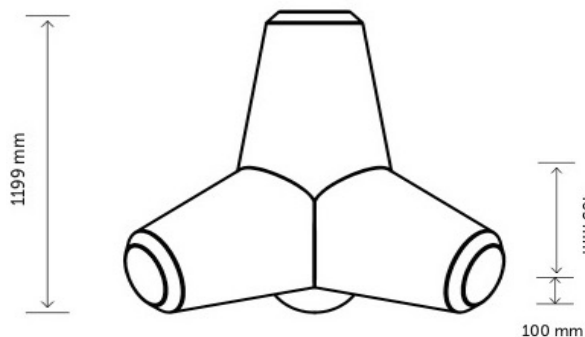
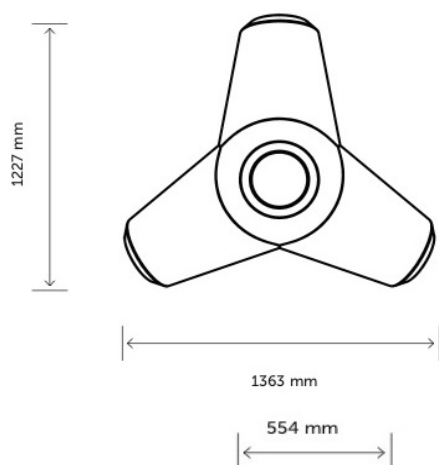


TETRAPOD

DESIGNED BY MARGUS TRIIBMANN



Tetrapod is an urban space element inspired by the concrete tetra shaped elements used in waterworks to build wavebreakers. Tetrapod can be used as a room divider, as a light object, or simply as a decorative object. The light element is mounted in the center of the polyetherine body of the Tetrapod and has a E27 socket. The recommended light source is a LED bulb. The combination of the PE shell, the metal housing used for the socket, the cable and plug ensures that the design is IP44.

Product code	LO-TE-01	LO-TE-02
Socket	N.A.	E27
IP rating	N.A.	44
IK rating	8	8
Weight (without mount, kg)	40	42